



UMBRIA T0295

(UMBRIA TOP 02 H95)

DISTRIBUTION

DESIGN

Vincent Dejonghe

LABEL

TYPE

TABLETOP

EXTENSION(S)

SECURITY

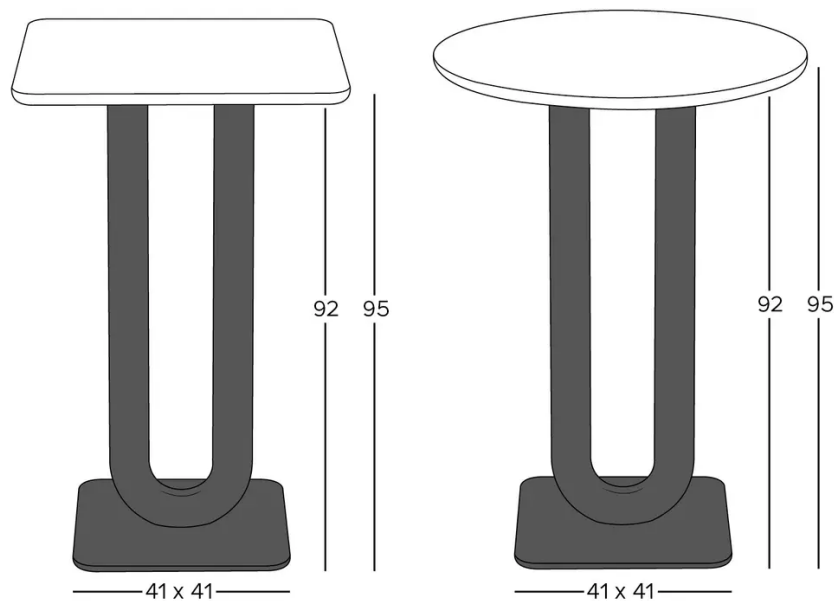
Our tables are heavy and require two people to assemble or move them.

DIMENSIONS (CM)

60x60 cm, Ø 60 cm, Ø 70 cm

UMBRIA T0295

WHICH SIZE?



WEIGHT & PACKAGING

Dimensions: RD 60 cm

Number of boxes: 2

Grossweight: 37 kg

Packing volume: 0,22 m³

Dimensions: RD 70 cm

Number of boxes: 2

Grossweight: 37 kg

Packing volume: 0,23 m³

Dimensions: 60x60 cm

Number of boxes: 2

Grossweight: 37 kg

Packing volume: 0,22 m³