

# TRAVA T3012

(TRAVA MEET I-05 -TOP H95)

## DISTRIBUTION

CONTRACT general

## DESIGN

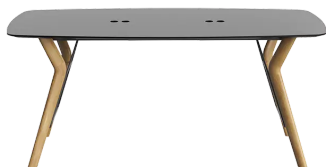
Vincent Dejonghe

## LABEL

MOBITEC labelled product

## TYPE

Meeting table, total height 95cm.



## TABLETOP

Top in MDF 30mm with a 0.9mm in FENIX NTM® layer veneer.

The beveled edge, as well as the underside of the table top are lacquered in a color matching the color of the Fenix decor.

## EXTENSION(S)

This version is always without extension.

## FEET

Depending on the size of the table there are 2 types of feet.

Regardless of their position, feet are always in solid oak and equipped with adjustable WAGNER® glides.

Metal frame in steel wire Ø12 mm. The color of this metal structure is at your choice, among our range of metal colors.

## SPECIAL FEATURES

For technical reasons, the table top can be supplied in several parts to fixed together.

Depending on the size, the top can be made up of 2, 4 or even 6 different parts.

When a table top is made up of several parts, these are screwed together from underneath the table to form the complete tray.

## SECURITY

Our tables are heavy and require two people to assemble or move them.

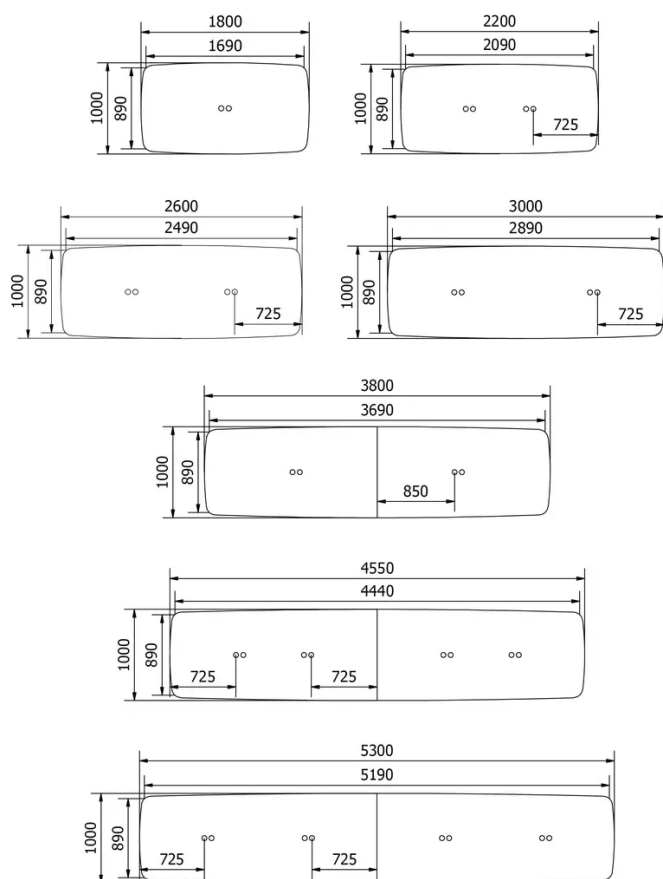
## DIMENSIONS (CM)

100x140 - 100x180 - 100x220 - 100x260 - 100x300 - 100x380 - 100x455 - 100x530 - 100x605 - 100x680 - 100x755cm

# TRAVA T3012

## WHICH SIZE?

---



### WEIGHT & PACKAGING

Packaging information available on request:

✉ [info@mobitec.be](mailto:info@mobitec.be)

☎ +32 87 59 69 69