



# JAPURA T0501

(JAPURA BEVELED EDGE PM2 +EXT + WOODEN INLET)

## DISTRIBUTION

Retail X'clusive Colletion

## DESIGN

Vincent Dejonghe

## LABEL

Mobitec Label

## TYPE

### TABLETOP

The top is made of 30mm thick solid wood, available in oak (E) or rustical oak (W), with bevelled edge.

Rustical oak is optionally available with open or closed knotholes.

### EXTENSION(S)

100cm extension

### FEET

The frame is always black. Table legs are available in all colours (not A24) of our general metal collection. The color of the wood application can be chosen freely, but will always be delivered in oak.

### SECURITY

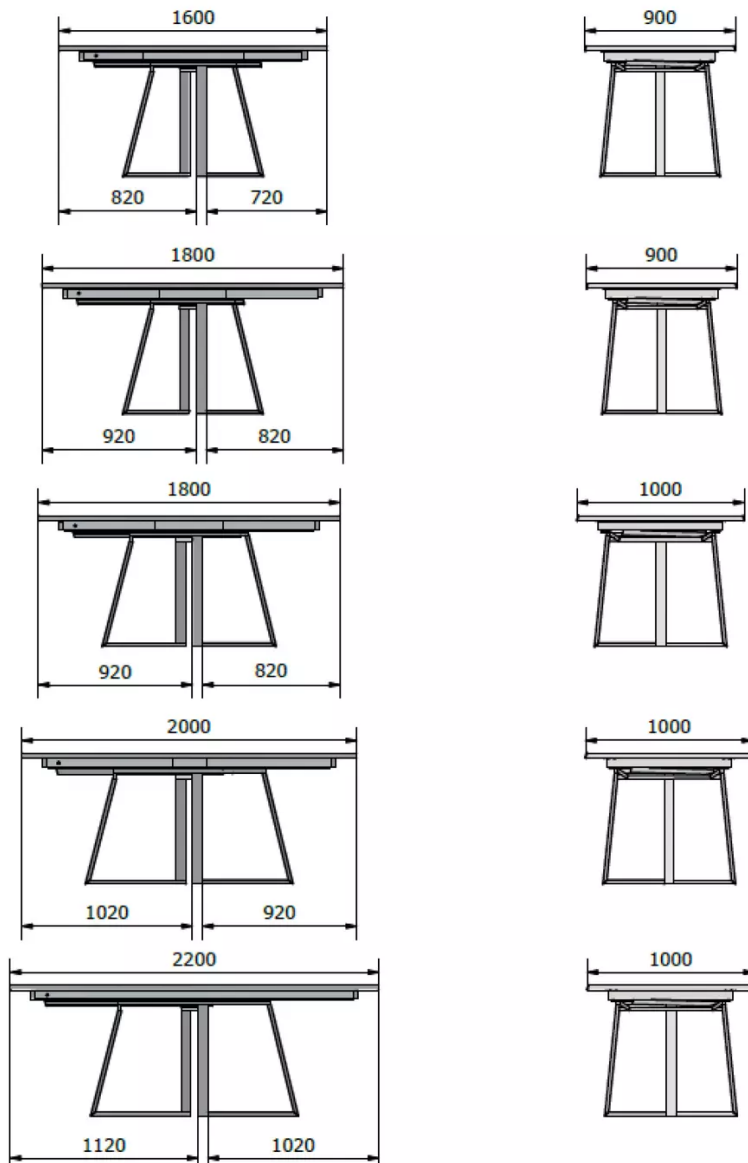
Tables with an extension system require the presence of two people during assembly. When using the extension system, follow the instructions to avoid any accidents.

### DIMENSIONS (CM)

90x160/260 - 90x180/280 - 100x180/280 - 100x200/300 - 100x220/320

# JAPURA T0501

WHICH SIZE?



## WEIGHT & PACKAGING

*Dimensions: 90X160 + 1 extension of 100 cm*

Number of boxes: 3

Grossweight: 105 kg

Packing volume: 0,72 m<sup>3</sup>

*Dimensions: 90X180 + 1 extension of 100 cm*

Number of boxes: 3

Grossweight: 109 kg

Packing volume: 0,86 m<sup>3</sup>

*Dimensions: 100X180 + 1 extension of 100 cm*

Number of boxes: 3

Grossweight: 113 kg

Packing volume: 0,92 m<sup>3</sup>

*Dimensions: 100X200 + 1 extension of 100 cm*

Number of boxes: 3

Grossweight: 115 kg

Packing volume: 1,06 m<sup>3</sup>

*Dimensions: 100X220 + 1 extension of 100 cm*

Number of boxes: 3

Grossweight: 119 kg

Packing volume: 1,21 m<sup>3</sup>