



AVILA T0310

(AVILA TOP 03 H110)

DISTRIBUTION

DESIGN

Vincent Dejonghe

LABEL

TYPE

TABLETOP

EXTENSION(S)

SECURITY

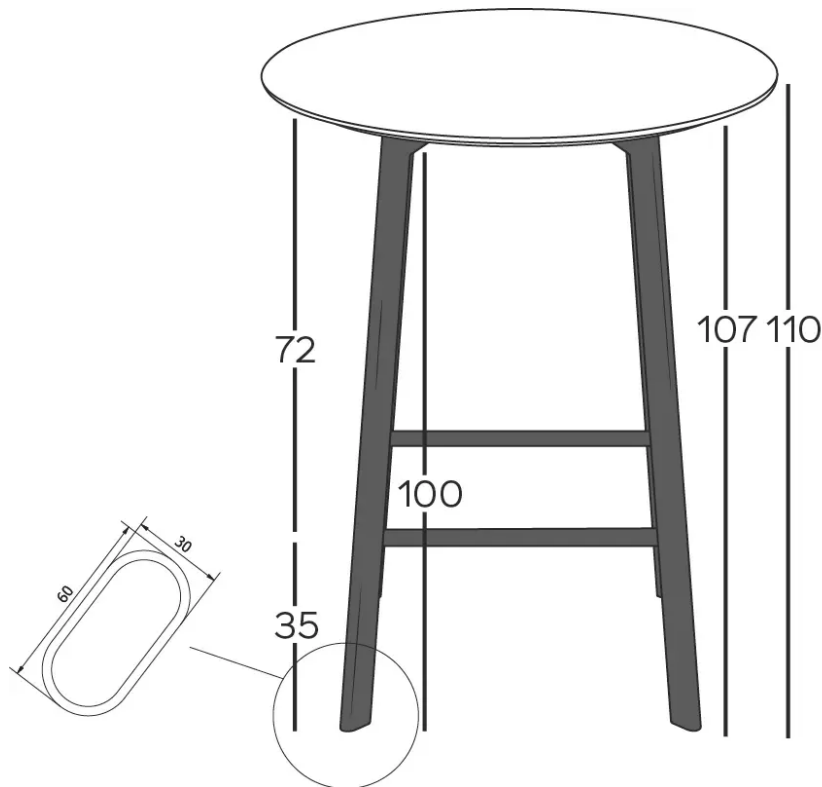
Our tables are heavy and require two people to assemble or move them.

DIMENSIONS (CM)

60x60 cm, 70x70 cm, 80x80 cm, 90x90 cm, 60x70 cm, 80x120 cm, 80x140 cm, Ø 60 cm, Ø 70 cm, Ø 80 cm, Ø 90 cm

AVILA T0310

WHICH SIZE?



WEIGHT & PACKAGING

Dimensions: RD 60 cm

Number of boxes: 2
Grossweight: 24 kg
Packing volume: 0,14 m³

Dimensions: RD 70 cm

Number of boxes: 2
Grossweight: 26 kg
Packing volume: 0,16 m³

Dimensions: RD 80 cm

Number of boxes: 2
Grossweight: 30 kg
Packing volume: 0,18 m³

Dimensions: RD 90 cm

Number of boxes: 2
Grossweight: 33 kg
Packing volume: 0,20 m³

Dimensions: 60x60 cm

Number of boxes: 2
Grossweight: 26 kg
Packing volume: 0,14 m³

Dimensions: 70x70 cm

Number of boxes: 2
Grossweight: 28 kg
Packing volume: 0,16 m³

Dimensions: 80x80 cm

Number of boxes: 2
Grossweight: 33 kg
Packing volume: 0,18 m³

Dimensions: 90x90 cm

Number of boxes: 2
Grossweight: 37 kg
Packing volume: 0,20 m³

Dimensions: 60x70 cm

Number of boxes: 2
Grossweight: 27 kg
Packing volume: 0,15 m³

Dimensions: 80x120 cm

Number of boxes: 2
Grossweight: 37 kg
Packing volume: 0,22 m³

Dimensions: 80x140 cm

Number of boxes: 2
Grossweight: 40 kg
Packing volume: 0,24 m³